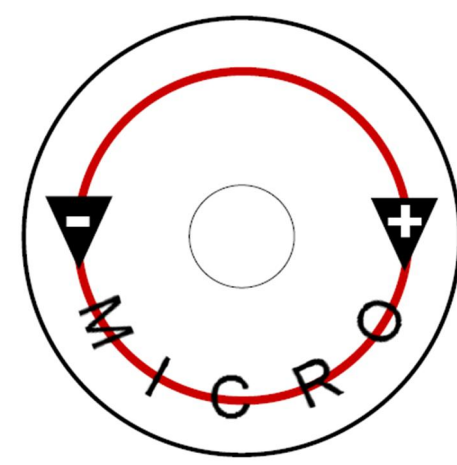
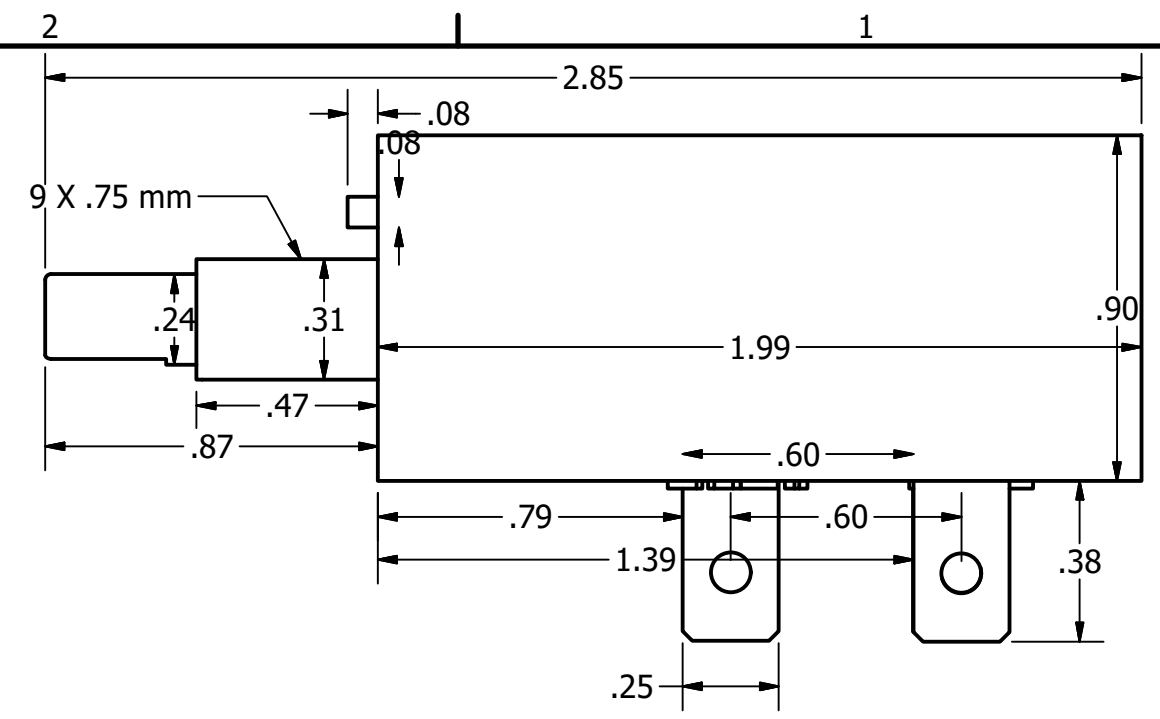
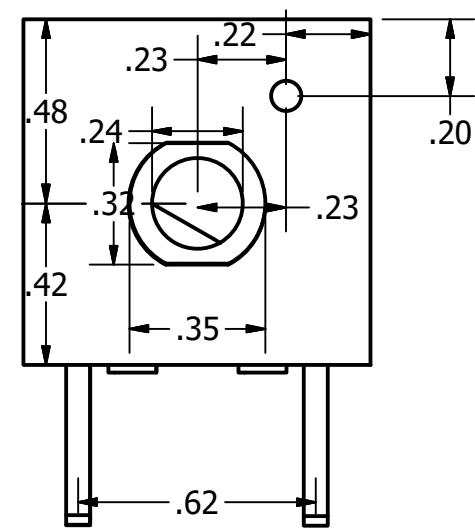




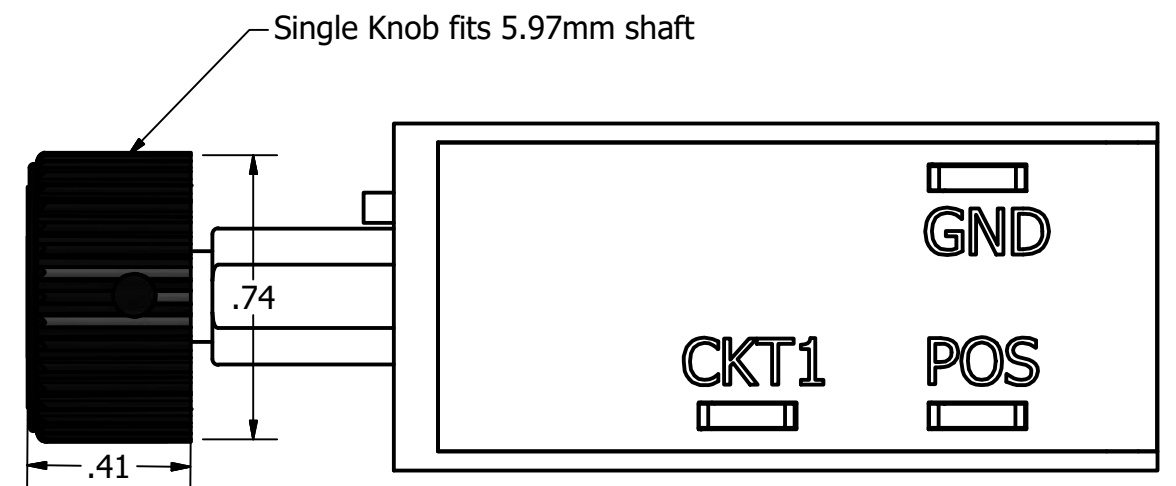
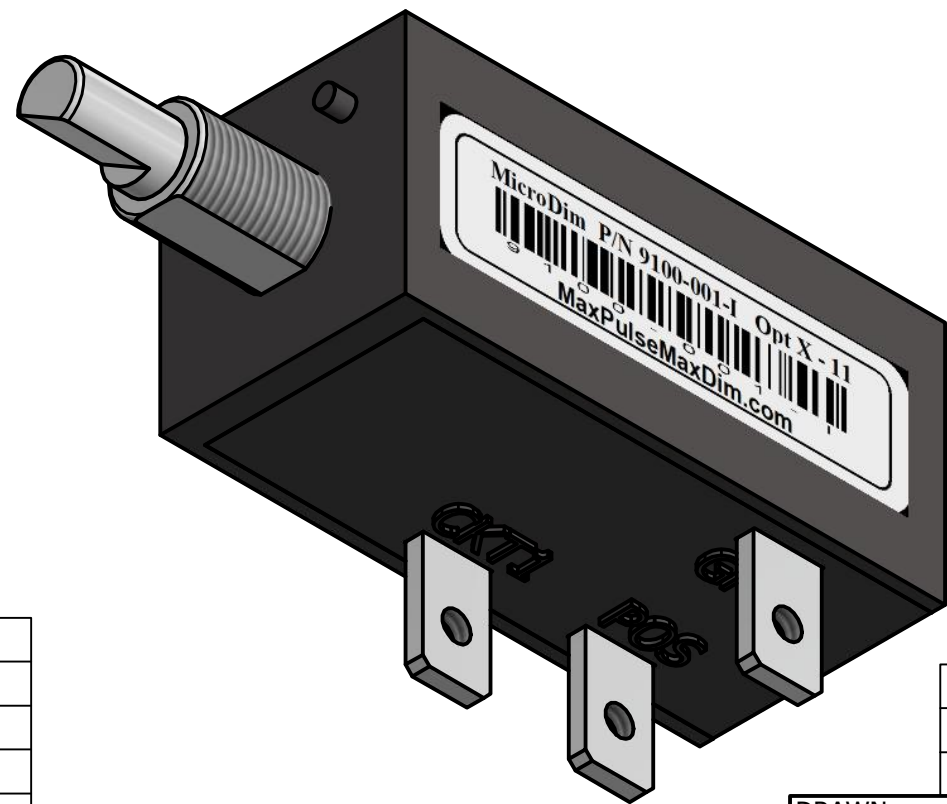
~1.5 inches



~1.5 inches



PARTS LIST	
1	Single MicroDim with ring lugs
1	Installation instructions optional
1	3M VHB double sided mounting tape optional
3	Placards black, clear + cover optional
1	Installation drill template optional
1	Knob with set screw P/N 4500-000
3	Color coded terminals
3	6-32 screws (3), lock washers (3) for terminals
2	Allen Wrenches for Knob and Terminals
1	9mm .75 washer (1), lock washer (1), nut (1)



SPECIFICATIONS	
Part Number	9100-001-I
Option (XX)	Enter option here
DO-160G	SEC. 21:RFE (EMI)
Voltage Range	5 to 35 VDC
Maximum Current	10 A per Channel
Output Channels	1
Enclosure Material	PA-765B meets UL94 V-2, V-0 5VB, 5VA Flame Rating
Pot Rotation	300 degrees +/- 7%
Weight	1 ounce (28g)
Warranty	One Year Limited
Storage Temperature	-40C to +100C
Operating Temperature	-10C to +70C
Internal Temp	+25 C at 10 A

DIMENSIONAL TOLERANCES		
Fractions	Decimals	Angles
+/- 1/32	.XX +/- .08	+/- 1 degree
	.XXX +/- .010	
	X +/- .1	

REVISION HISTORY				
ZONE	REV	DESCRIPTION	DATE	APPROVED
All	A	Move to injection molding	11/4/2018	JB

DRAWN JB 10/17/2019 CHECKED JC 11/5/2018 MFG JB 11/4/2018 APPROVED JB 11/4/2018	<h2>Seaton Engineering</h2> <p>TITLE</p> <h3>Single Channel MicroDim w/11mm bushing</h3> <p>SIZE B</p> <p>SCALE 2 : 1</p>	<p>DWG NO</p> <h3>9100-001-I-(XX)-11</h3> <p>REV A</p> <p>SHEET 1 OF 1</p>
--	--	--