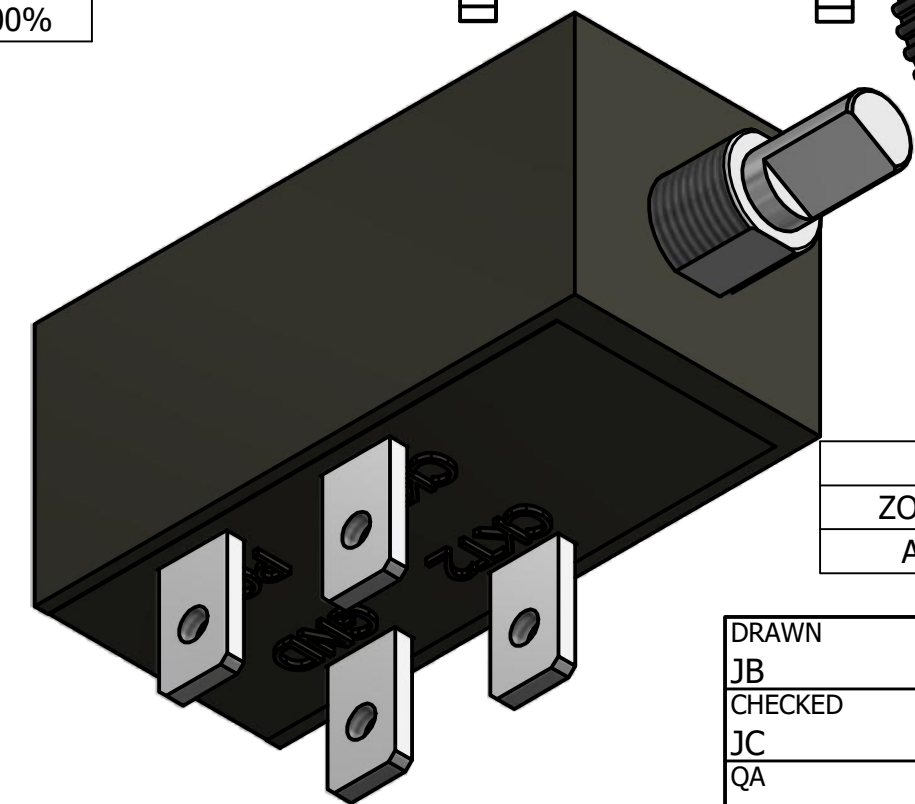


PWM OUTPUTS		
CKT1	Incandescent Curve	0 to 100%
CKT2	Full system voltage when dimming	0 to 100%


PARTS LIST	
1	MicroDim w/ring lugs
1	Installation Instructions optional
4	Color Coded Ring terminals
1	Reference panel label optional
1	Placards black, clear, cover optional
1	Installation Template optional
1	Knob 4550-000
4	6-32 screws, lock washers for terminals
2	Allen Wrenches
1	9mm X .75 washer, Nut, lock washer

SPECIFICATIONS	
SWP firmware	Bushing 6mm, single knob
DO-160E Testing	SEC. 21: RFE (EMI)
Voltage Range	5 to 35 VDC
Maximum Current	10 A per Channel
Output Channels	2
Enclosure Material	PA-765B meets UL94
Weight	1 ounce (28g)
Warranty	One Year Limited
Storage Temperature	-40C to +100C
Internal Temp	+25 C at 10 A



REVISION HISTORY				
ZONE	REV	DESCRIPTION	DATE	APPROVED
All	A	Move to injection Mold	12/2/2018	JB

DIMENSIONAL TOLERANCES		
Fractions	Decimals	Angles
+/- 1/32	.XX +/- .08	+/- 1 degree
	.XXX +/- .010	
	X +/- .1	

DRAWN JB 12/2/2018 CHECKED JC 12/4/2018 QA	 Seaton Engineering
MFG JB 12/2/2018 APPROVED JB 12/2/2018	Micro Dual Dimmer 9100-001-J
SIZE B	DWG NO 9100-001-J-10 opt-SWP
SCALE 2 : 1	REV A